

PSTA-2955(-W)
PSTK-2955(-W)

Short Throw Projector Mounting Solution

For short throw projectors up to 35lb (15kg)

This Universal Short Throw Projector Mount (PSTK models) provides flexibility to install to a single stud or a double stud application and gives up to 6" (152mm) of lateral adjustment for perfect projector placement any time. In addition, its universal telescoping arm is easily adjustable to accommodate short throw projector distance requirements. Complementary to the universal design of the short throw projector arm, this comprehensive package comes with Peerless' Universal Precision Gear Projector Mount that makes image alignment as easy as a simple turn of a knob. Tying the installation together is its internal cable management system that is the oasis of a clean clutter-free installation. Peerless delivers a comprehensive solution in one package for any short throw projector installation.



Max load: 35lb (15kg)

FEATURES

- Telescoping arm design provides a large range of mounting options with convenient lockdown slots at every point
- Access slots allow for internal cable management
- Pre-installed security screws lock down short throw arm and prevent tampering
- Kitted with Peerless' Universal Precision Gear Projector Mount (PRG-UNV), patent-pending precision gears that provide exact projector image alignment
- Specifications:
Tilt: $\pm 20^\circ$
Roll: $\pm 10^\circ$
Swivel: $\pm 15^\circ$



Double stud wall plate allows for 6" (152mm) of lateral adjustment for precise alignment of the ultra-short throw projector, with PSTK model



Post-installation lateral adjustment for optimal arm alignment, with PSTK model



Cable management access holes provide internal cable management



Pre-installed security hardware to eliminate tampering



RoHS
2002/95/EC

CLICK: www.peerlessmounts.com

CALL: 800.865.2112

FAX: 708.865.2941

peerless[®]

Model Numbers

PSTA-2955	Short throw projector arm (Includes PRG-UNV) for projectors weighing up to 35lb (15kg)
PSTK-2955	Short throw projector kit (Includes PRG-UNV and wall plate) for projectors weighing up to 35lb (15kg)
PSTA-2955-W	Short throw projector arm (Includes PRG-UNV) for projectors weighing up to 35lb (15kg)
PSTK-2955-W	Short throw projector kit (Includes PRG-UNV and wall plate) for projectors weighing up to 35lb (15kg)

Product Specifications

	DIMENSIONS (W x H x D)	PRODUCT WEIGHT	LOAD CAPACITY	FINISH	AVAILABLE COLORS
PSTA-2955	3.93" x 11" x 40-65" (100 x 279 x 1026-1663mm)	14lb (6kg)	35lb (15kg)	Scratch-resistant fused epoxy	Black and White
PSTK-2955	18.50" x 13.11" x 40.46-65.48" (470 x 333 x 1028-1669mm)	18lb (8kg)			
PSTA-2955-W	3.93" x 11" x 40-65" (100 x 279 x 1026-1663mm)	14lb (6kg)			
PSTK-2955-W	18.50" x 13.11" x 40.46-65.48" (470 x 333 x 1028-1669mm)	18lb (8kg)			

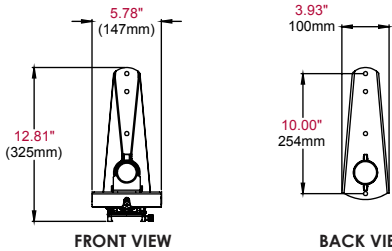
Package Specifications

	PACKAGE SIZE (W x H x D)	PACKAGE SHIP WEIGHT	PACKAGE UPC CODE	PACKAGE CONTENTS	UNITS IN PACKAGE
PSTA-2955	17.13" x 4.75" x 45.75" (435 x 120 x 1162mm)	21.58lb (9.79kg)	735029262862	Short throw arm, PRG-UNV, installation hardware, assembly instructions. PSTK Model also includes double stud wall plate.	1
PSTK-2955		25.1lb (11.39kg)	735029263067		
PSTA-2955-W		21.58lb (9.79kg)	735029262879		
PSTK-2955-W		25.1lb (11.39kg)	735029263074		

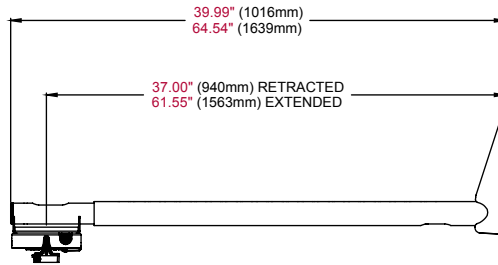
Accessories

WBK100	Double Stud Wall Plate	ACC020	Projector Security Cable
---------------	------------------------	---------------	--------------------------

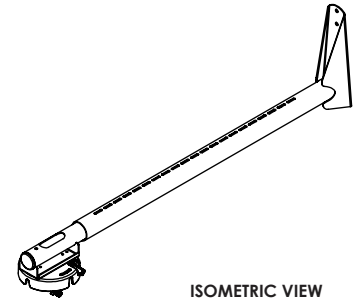
All dimensions = inch (mm)



BACK VIEW

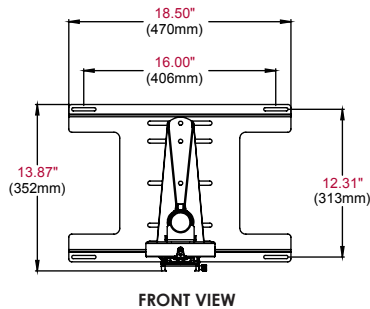


SIDE VIEW

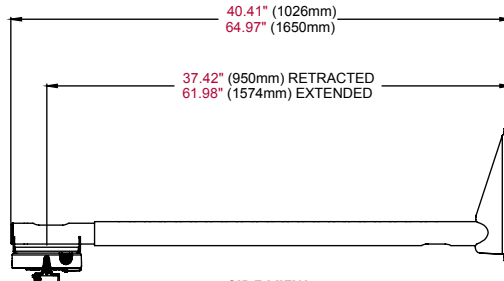


ISOMETRIC VIEW

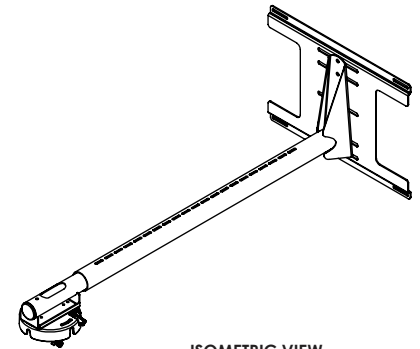
PSTA-2955



FRONT VIEW



SIDE VIEW



ISOMETRIC VIEW

PSTK-2955

ARCHITECTS SPECIFICATIONS

The Universal Projector Wall Arm shall be a Peerless model PST%-2955(-W) and shall be located where indicated on the plans. It shall be constructed of heavy gauge cold rolled steel and feature scratch resistant white and black fused epoxy finish. Assembly and installation shall be done according to instructions provided by the manufacturer.